

PARTS LIST

MCV3501S(16)-01

CONTENTS

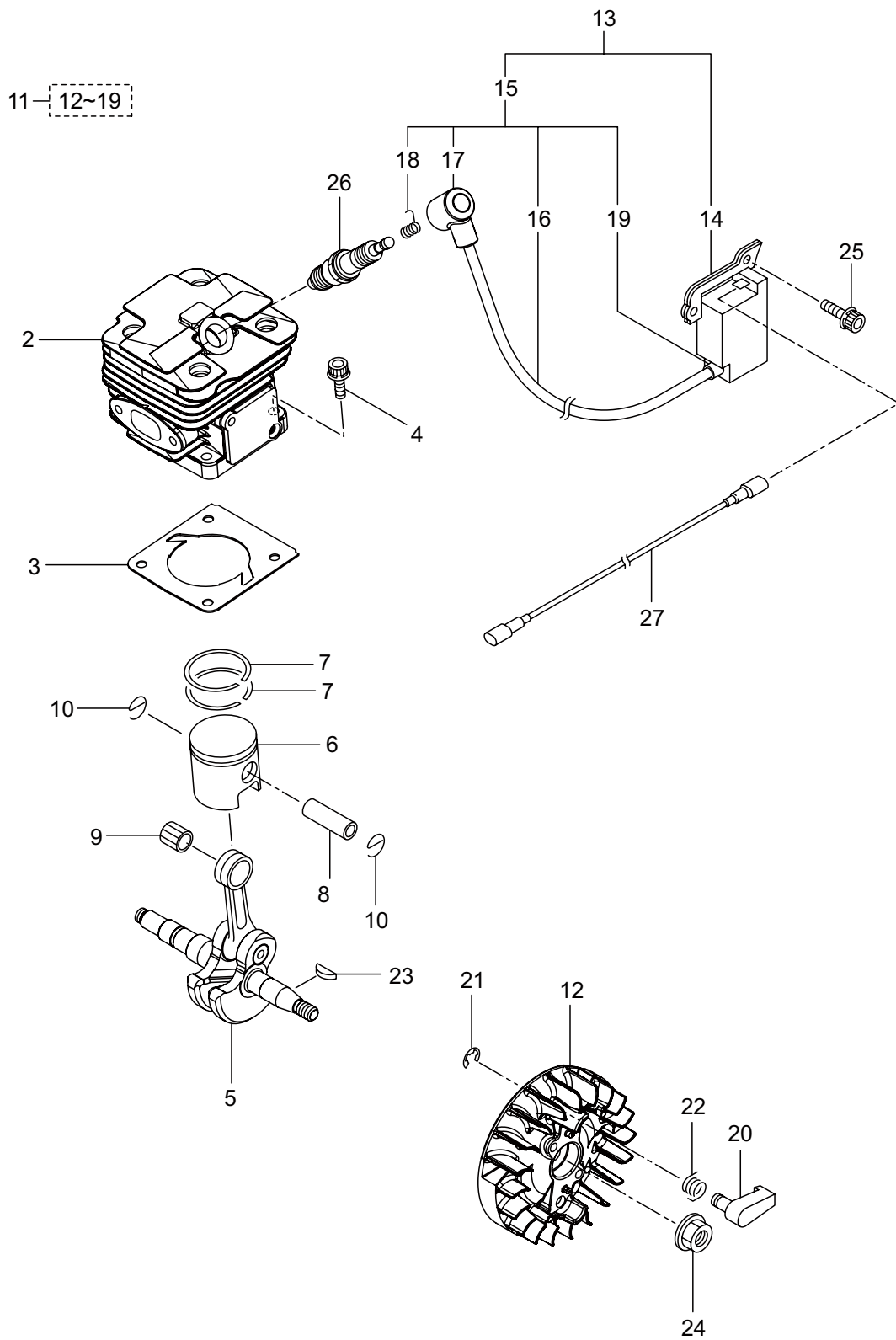
| | |
|-------------------------------|---------|
| 1. CYLINDER, CRANKSHAFT | 1 ~ 2 |
| 2. CRANKCASE..... | 3 ~ 4 |
| 3. CLUTCH, OIL PUMP..... | 5 ~ 6 |
| 4. MUFFLER, FUEL PIPE | 7 ~ 8 |
| 5. CARBURETOR | 9 ~ 10 |
| 6. ENGINE CASE | 11 ~ 12 |
| 7. RECOIL STARTER | 13 ~ 14 |
| 8. HANDLE | 15 ~ 16 |
| 9. LABEL, ACCESSORIES | 17 ~ 18 |

2014. 12.



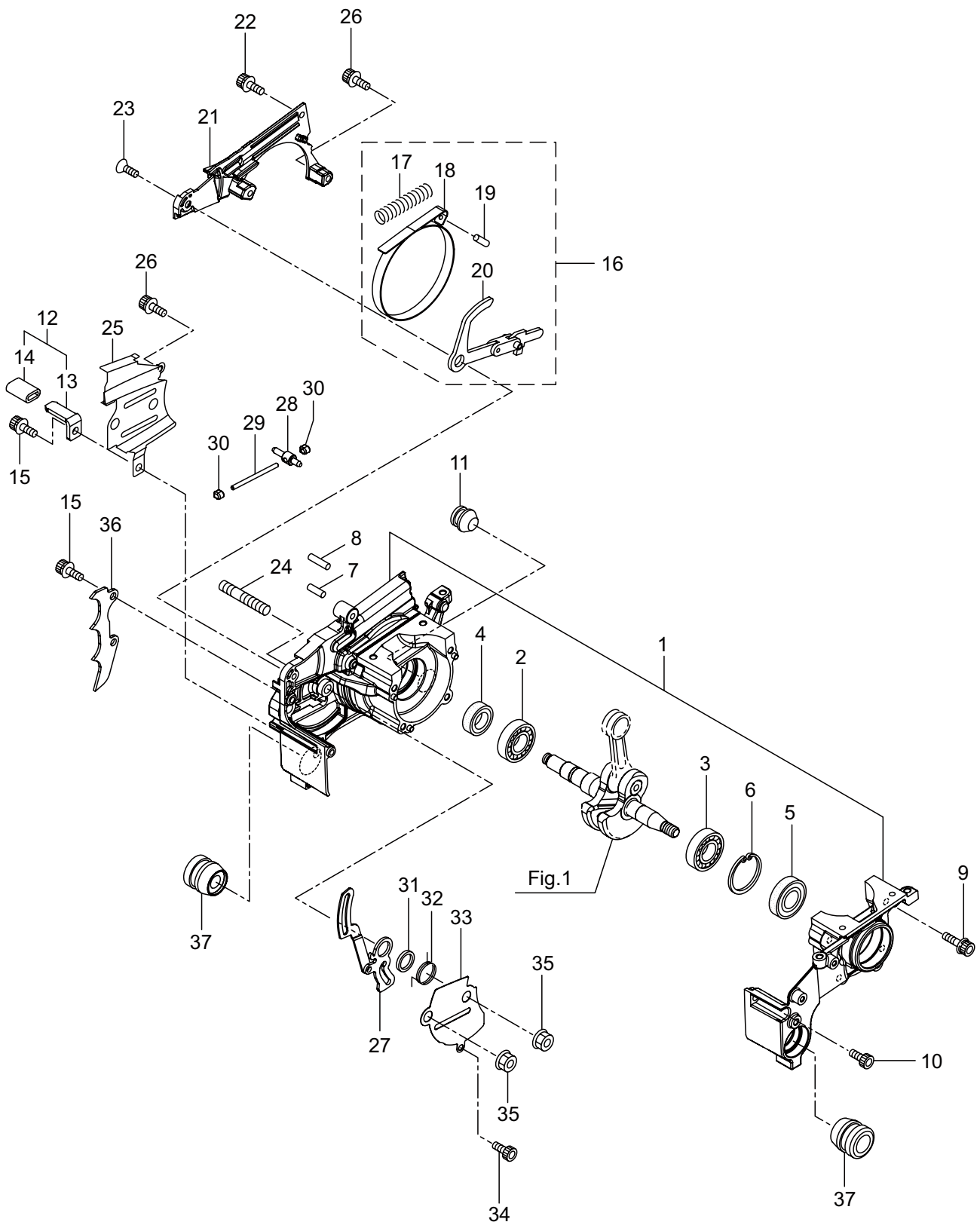
P/N 523938

1. MCV3501S(16)-01
CYLINDER, CRANKSHAFT



| Ref. No. | Part No. | Part Name | Q'ty | Remarks |
|----------|----------|---------------------|------|------------|
| 1-1 | 362850 | MCV3501S(16)-01 | 1 | |
| 1-2 | 272688 | Cylinder | 1 | |
| 1-3 | 275220 | Gasket | 1 | |
| 1-4 | 261250 | Cap Screw | 4 | M5x20 |
| 1-5 | 285867 | Crank Shaft Comp | 1 | |
| 1-6 | 285876 | Piston | 1 | |
| 1-7 | 285880 | Piston Ring | 2 | |
| 1-8 | 285881 | Piston Pin | 1 | |
| 1-9 | 285882 | Bearing | 1 | |
| 1-10 | 285883 | Clip | 2 | |
| 1-11 | 285884 | Magneto Ass'y | 1 | Incl.12-19 |
| 1-12 | 285886 | Magneto Rotor | 1 | |
| 1-13 | 274027 | Ignition Coil Ass'y | 1 | Incl.14-19 |
| 1-14 | 274028 | Coil | 1 | |
| 1-15 | 272825 | Cord Ass'y | 1 | Incl.16-19 |
| 1-16 | 272826 | Cord | 1 | |
| 1-17 | 261074 | Plug Boot | 1 | |
| 1-18 | 261075 | Connector | 1 | |
| 1-19 | 261072 | Cap | 1 | |
| 1-20 | 285553 | Starter Pawl | 2 | |
| 1-21 | 020299 | E-Ring | 2 | #4 |
| 1-22 | 285552 | Spring | 2 | |
| 1-23 | 261076 | Woodruff Key | 1 | 3x10 |
| 1-24 | 261417 | Nut,Rotor | 1 | M8 |
| 1-25 | 281211 | Cap Screw | 2 | M4x20 |
| 1-26 | 288264 | Spark Plug | 1 | BPMR8Y |
| 1-27 | 272827 | Lead | 1 | |

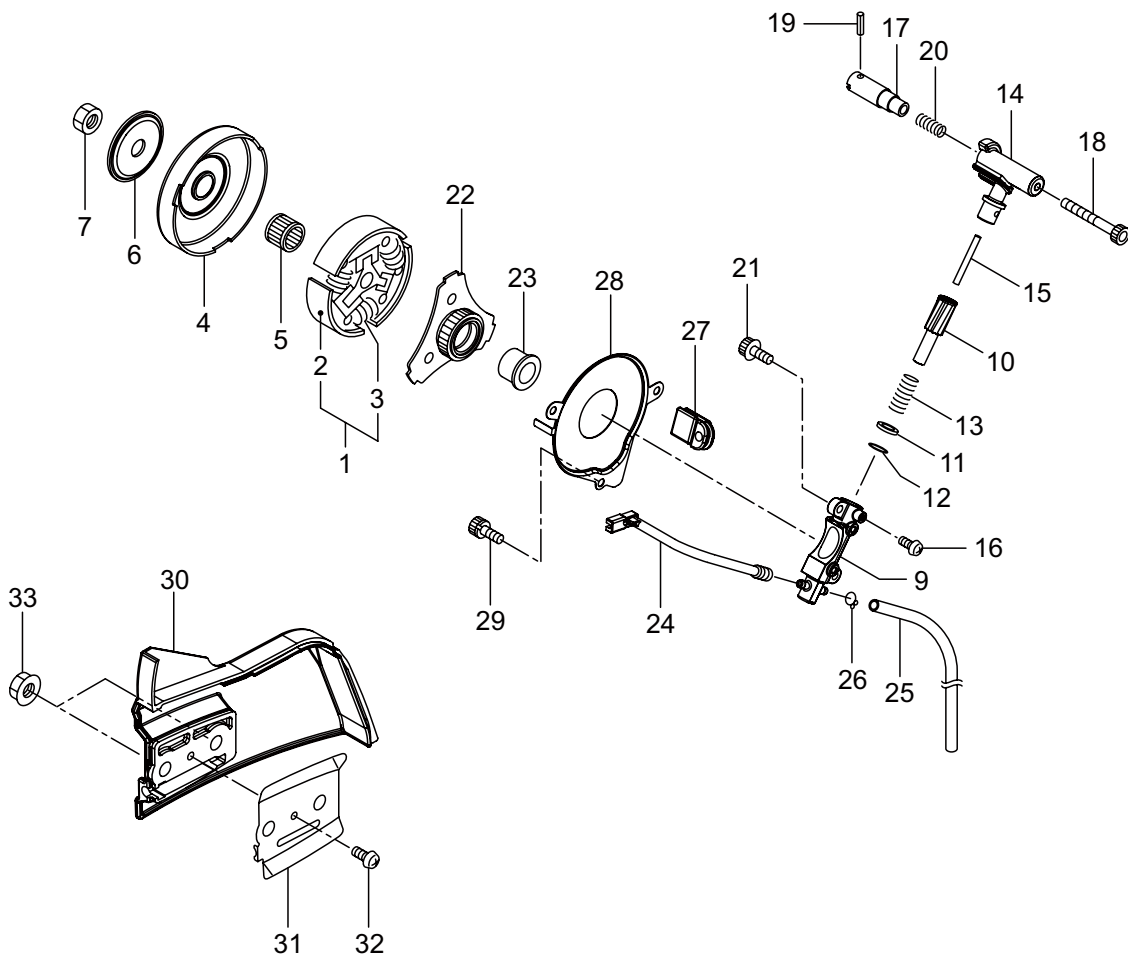
2. MCV3501S(16)-01
CRANKCASE



| Ref. No. | Part No. | Part Name | Q'ty | Remarks |
|----------|----------|---------------------|------|------------|
| 2-1 | 285858 | Crankcase | 1 | |
| 2-2 | 285863 | Bearing | 1 | |
| 2-3 | 285864 | Bearing | 1 | |
| 2-4 | 285865 | Oil Seal | 1 | |
| 2-5 | 261385 | Oil Seal | 1 | ISCD12327 |
| 2-6 | 016732 | Snap Ring | 1 | #32 |
| 2-7 | 285560 | Pin | 1 | 3x9.8 |
| 2-8 | 285529 | Pin | 1 | 3x13.8 |
| 2-9 | 261612 | Cap Screw | 4 | M5x30 |
| 2-10 | 231871 | Bolt | 1 | M5x12 |
| 2-11 | 285888 | Cushion | 1 | |
| 2-12 | 286803 | Chain Catcher Ass'y | 1 | Incl.13,14 |
| 2-13 | 285583 | Chain Catcher | 1 | |
| 2-14 | 285585 | Tube | 1 | 7x10.5x18L |
| 2-15 | 227817 | Bolt | 3 | M5x12 |
| 2-16 | 272814 | Brake Ass'y | 1 | Incl.17-20 |
| 2-17 | 285605 | Spring | 1 | |
| 2-18 | 285962 | Band | 1 | |
| 2-19 | 285560 | Pin | 1 | 3x9.8 |
| 2-20 | 285963 | Lever Comp | 1 | |
| 2-21 | 285960 | Side Cover | 1 | |
| 2-22 | 272817 | Screw | 1 | M4x12 |
| 2-23 | 272818 | Screw | 1 | M5x12 |
| 2-24 | 285970 | Stud Bolt | 2 | |
| 2-25 | 285866 | Guide Plate L | 1 | |
| 2-26 | 272816 | Screw | 2 | M4x20 |
| 2-27 | 285966 | Link Comp | 1 | |
| 2-28 | 286671 | Boss | 1 | |
| 2-29 | 286672 | Rod | 1 | |
| 2-30 | 286673 | Rod Guide | 2 | |
| 2-31 | 285971 | Washer | 1 | |
| 2-32 | 273039 | Spring | 1 | |
| 2-33 | 285969 | Cover | 1 | |
| 2-34 | 272820 | Screw | 1 | M4x8 |
| 2-35 | 285569 | Nut | 2 | |
| 2-36 | 285975 | Spike | 1 | |
| 2-37 | 285582 | Buffer | 2 | |

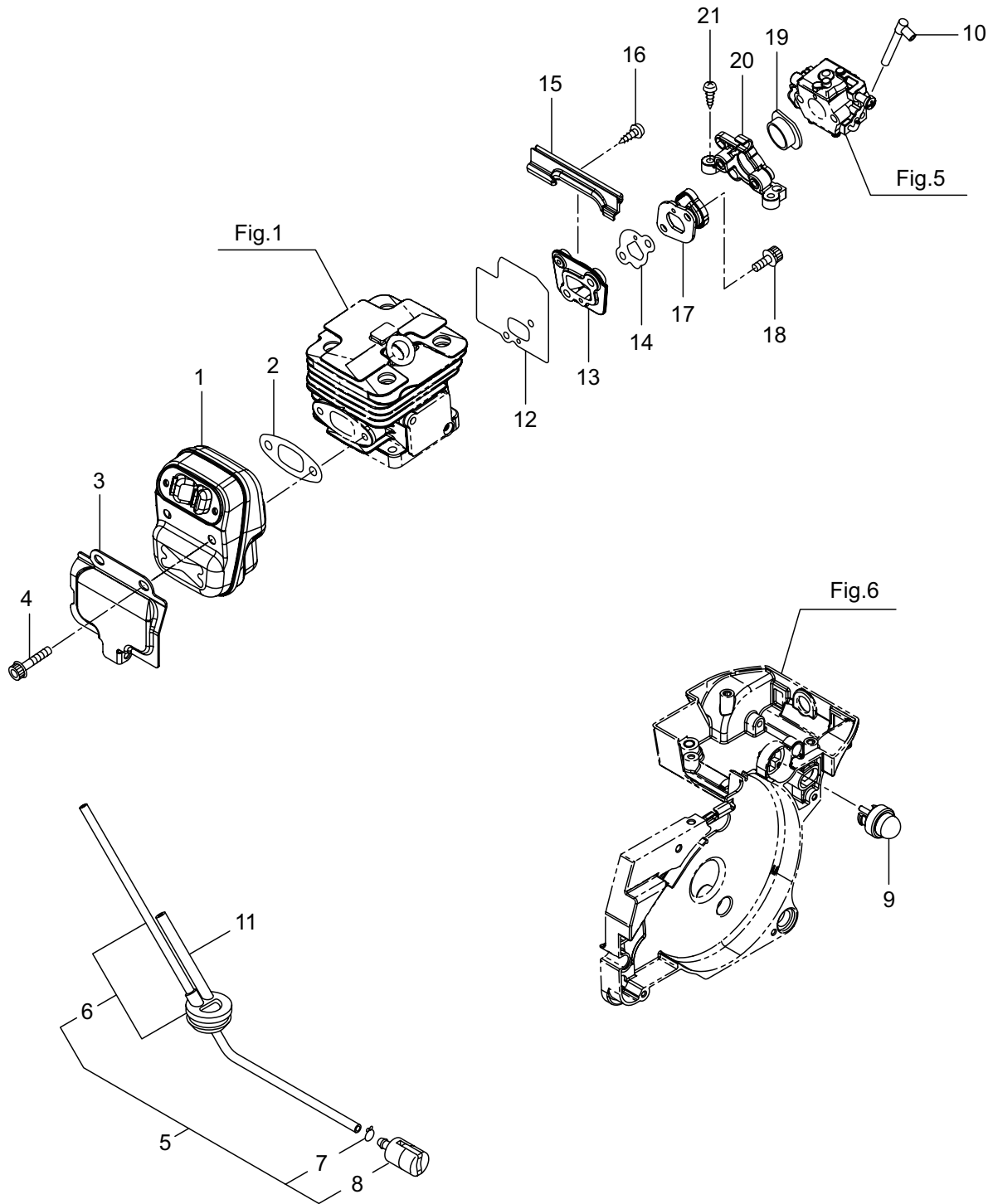
3. MCV3501S(16)-01
CLUTCH, OIL PUMP

8— 9~20



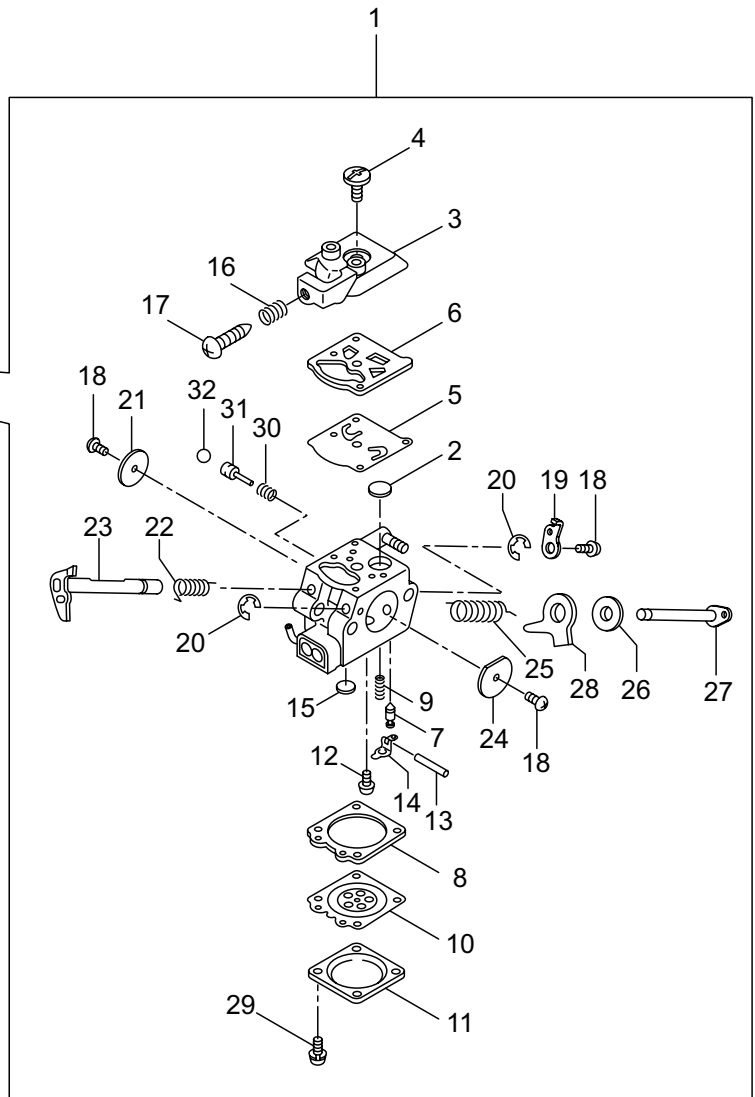
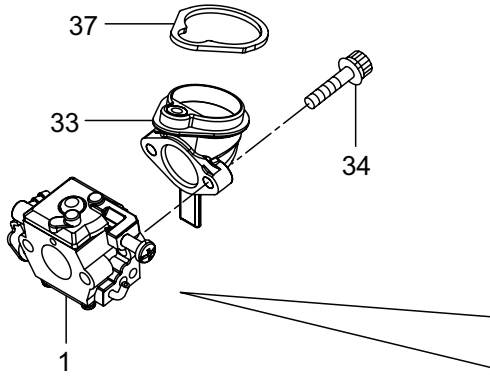
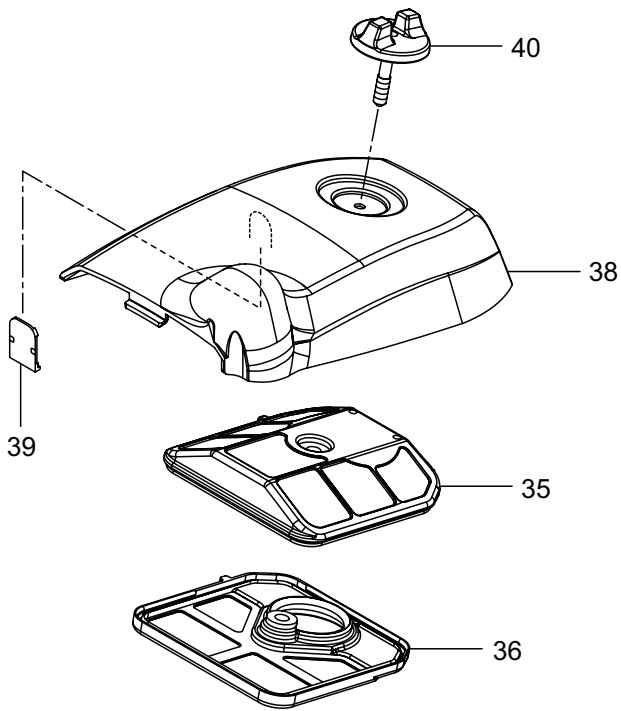
| Ref. No. | Part No. | Part Name | Q'ty | Remarks |
|----------|----------|--------------------|------|--------------|
| 3-1 | 285915 | Clutch Ass'y | 1 | Incl.2,3 |
| 3-2 | 285916 | Clutch Shoe | 3 | |
| 3-3 | 285917 | Spring | 3 | |
| 3-4 | 285896 | Clutch Drum 3/8"EP | 1 | |
| 3-4 | 1131291 | Clutch Drum .325" | 1 | |
| 3-5 | 285625 | Needle Bearing | 1 | 10x13x10 |
| 3-6 | 285890 | Washer | 1 | |
| 3-7 | 285736 | Nut | 1 | M8 |
| 3-8 | 272830 | Oil Pump Ass'y | 1 | Incl.9-20 |
| 3-9 | 285899 | Pump Body | 1 | |
| 3-10 | 285909 | Wheel Gear | 1 | |
| 3-11 | 286801 | Washer | 1 | t0.5 6.5x9.8 |
| 3-12 | 014759 | O-Ring | 1 | P6 |
| 3-13 | 285551 | Spring | 1 | |
| 3-14 | 285901 | Pump Cap | 1 | |
| 3-15 | 272832 | Rod | 1 | |
| 3-16 | 285630 | Screw | 1 | M3x8 |
| 3-17 | 285902 | Cam | 1 | |
| 3-18 | 272835 | Screw | 1 | M4x40 |
| 3-19 | 272833 | Spring Pin | 1 | |
| 3-20 | 272834 | Spring | 1 | |
| 3-21 | 272815 | Screw | 2 | M4x12 |
| 3-22 | 285891 | Gear Comp | 1 | |
| 3-23 | 285894 | Bush | 1 | |
| 3-24 | 285904 | Oil Pipe A | 1 | |
| 3-25 | 272836 | Oil Pipe B | 1 | |
| 3-26 | 261117 | Clip | 1 | |
| 3-27 | 285907 | Grommet | 1 | |
| 3-28 | 285908 | Pump Cover | 1 | |
| 3-29 | 285618 | Bolt | 1 | M4x12 |
| 3-30 | 285958 | Chain Case | 1 | |
| 3-31 | 285961 | Guide Plate R | 1 | |
| 3-32 | 272873 | Screw | 1 | M4x6 |
| 3-33 | 283041 | Nut | 2 | M8 |

4. MCV3501S(16)-01
MUFFLER, FUEL PIPE



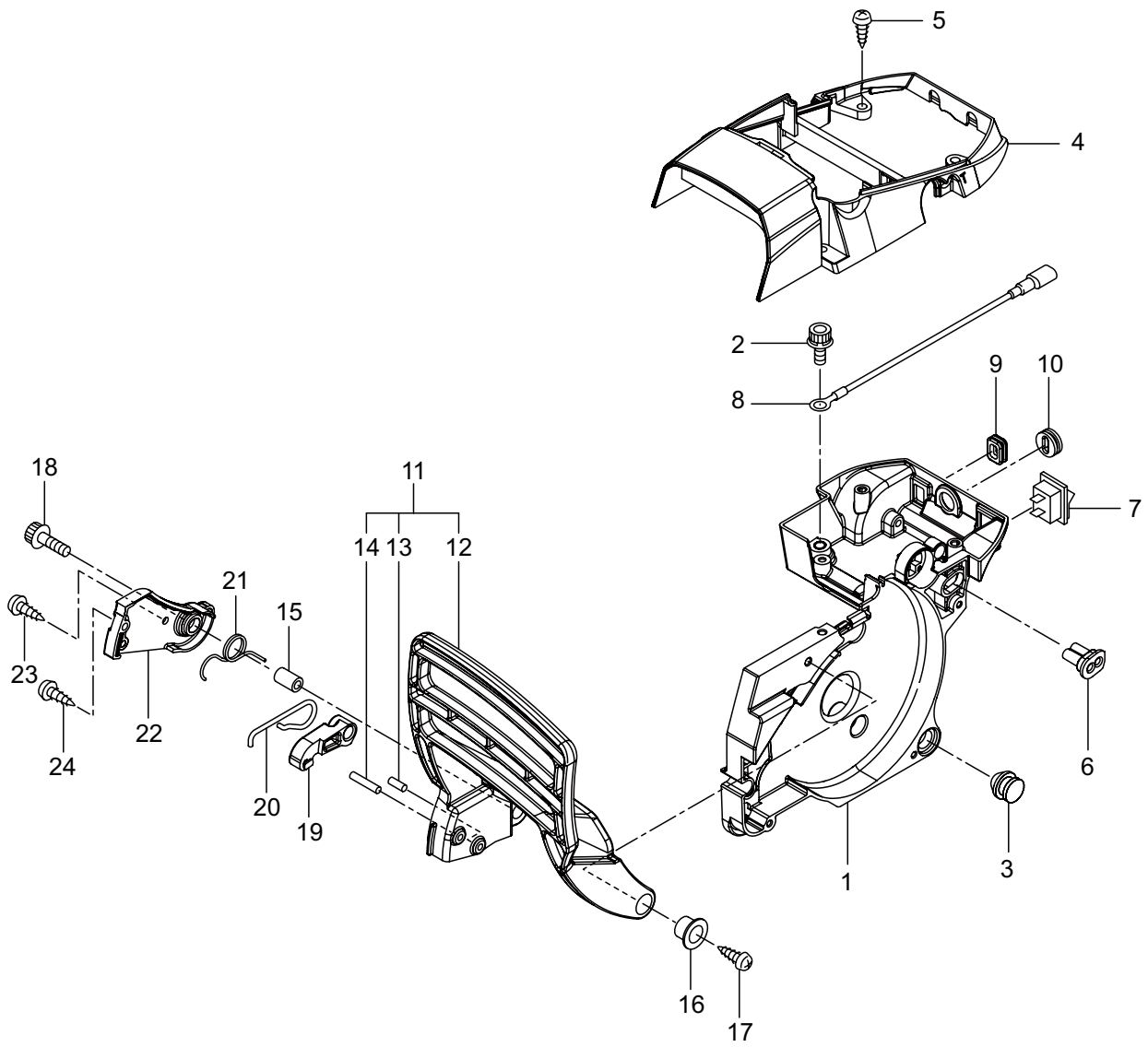
| Ref. No. | Part No. | Part Name | Q'ty | Remarks |
|----------|----------|-----------------|------|----------|
| 4-1 | 272786 | Muffler Ass'y | 1 | |
| 4-2 | 285914 | Gasket | 1 | |
| 4-3 | 273082 | Maffler Guard | 1 | |
| 4-4 | 272980 | Screw | 2 | M6x55 |
| 4-5 | 272841 | Fuel Pipe Ass'y | 1 | Incl.6-8 |
| 4-6 | 272842 | Pipe Ass'y | 1 | |
| 4-7 | 261117 | Clip | 1 | |
| 4-8 | 286749 | Filter Ass'y | 1 | |
| 4-9 | 282299 | Pump | 1 | |
| 4-10 | 275226 | Fuel Pipe B | 1 | |
| 4-11 | 272845 | Fuel Pipe | 1 | |
| 4-12 | 273352 | Gasket | 1 | |
| 4-13 | 285934 | Insulator | 1 | |
| 4-14 | 272872 | Gasket | 1 | |
| 4-15 | 285937 | Packing | 1 | |
| 4-16 | 285644 | Screw | 1 | M4x12 |
| 4-17 | 285935 | Insulator | 1 | |
| 4-18 | 261246 | Cap Screw | 2 | M5x25 |
| 4-19 | 286782 | Ring | 1 | |
| 4-20 | 285938 | Plate | 1 | |
| 4-21 | 285631 | Screw | 2 | M4x16 |

5. MCV3501S(16)-01
CARBURETOR



| Ref. No. | Part No. | Part Name | Q'ty | Remarks |
|----------|----------|----------------------|------|-----------|
| 5-1 | 274865 | Carburetor Ass'y | 1 | Incl.2-32 |
| 5-2 | 261872 | Screen | 1 | |
| 5-3 | 287168 | Pump Cover | 1 | |
| 5-4 | 287169 | Screw | 1 | |
| 5-5 | 287170 | Diaphragm | 1 | |
| 5-6 | 287171 | Gasket | 1 | |
| 5-7 | 262986 | Needle Valve | 1 | |
| 5-8 | 263727 | Gasket | 1 | |
| 5-9 | 287172 | Spring | 1 | |
| 5-10 | 283905 | Diaphragm, Meterring | 1 | |
| 5-11 | 263726 | Cover Plate | 1 | |
| 5-12 | 287173 | Screw | 1 | |
| 5-13 | 262989 | Lever Pin | 1 | |
| 5-14 | 262990 | Lever | 1 | |
| 5-15 | 287174 | Plug | 1 | |
| 5-16 | 287178 | Spring | 1 | |
| 5-17 | 287179 | Idle Adjust Screw | 1 | |
| 5-18 | 287180 | Screw | 3 | |
| 5-19 | 273376 | Lever | 1 | |
| 5-20 | 287182 | Ring | 2 | |
| 5-21 | 273377 | Throttle Valve | 1 | |
| 5-22 | 287185 | Spring | 1 | |
| 5-23 | 274088 | Shaft | 1 | |
| 5-24 | 287187 | Choke Valve | 1 | |
| 5-25 | 273379 | Spring | 1 | |
| 5-26 | 287189 | Washer | 1 | |
| 5-27 | 273380 | Shaft | 1 | |
| 5-28 | 289015 | Lever | 1 | |
| 5-29 | 287192 | Screw | 4 | |
| 5-30 | 273381 | Spring | 1 | |
| 5-31 | 273382 | Piston | 1 | |
| 5-32 | 273383 | Ball | 1 | |
| 5-33 | 285921 | Boots | 1 | |
| 5-34 | 261258 | Bolt | 2 | M5x50 |
| 5-35 | 285924 | Cleaner A | 1 | |
| 5-36 | 285923 | Cleaner B | 1 | |
| 5-37 | 272981 | Packing | 1 | |
| 5-38 | 285933 | Cleaner Cover | 1 | |
| 5-39 | 285947 | Shutter | 1 | |
| 5-40 | 285905 | Knob Bolt | 1 | |

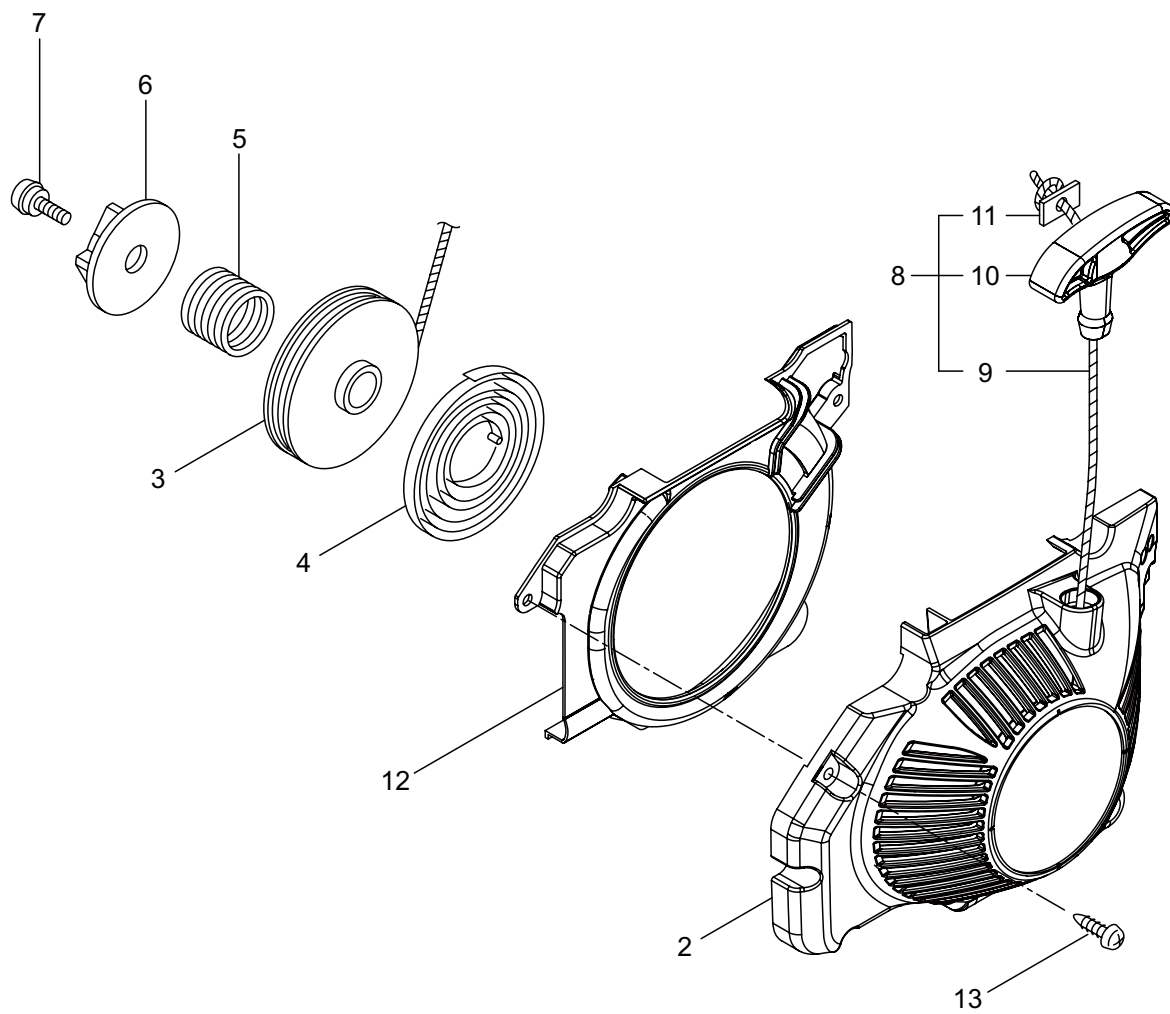
6. MCV3501S(16)-01
ENGINE CASE



| Ref. No. | Part No. | Part Name | Q'ty | Remarks |
|----------|----------|------------------------|------|------------|
| 6-1 | 285939 | Engine Case | 1 | |
| 6-2 | 281714 | Cap Screw | 5 | M5x20 |
| 6-3 | 285888 | Cushion | 1 | |
| 6-4 | 285942 | Top Cover | 1 | |
| 6-5 | 285636 | Screw | 3 | M5x20 |
| 6-6 | 275459 | Guide Rubber | 1 | |
| 6-7 | 233643 | Stop Switch | 1 | |
| 6-8 | 272851 | Lead | 1 | |
| 6-9 | 285903 | Grommet | 1 | |
| 6-10 | 285926 | Grommet | 1 | |
| 6-11 | 272852 | Front Guard Ass'y | 1 | Incl.12-14 |
| 6-12 | 285943 | Front Guard | 1 | |
| 6-13 | 272853 | Pin | 1 | 4x11.8 |
| 6-14 | 272854 | Pin | 1 | 4x23.8 |
| 6-15 | 272979 | Collar | 1 | |
| 6-16 | 285948 | Cup | 1 | |
| 6-17 | 272855 | Screw | 1 | 5x12 |
| 6-18 | 273204 | Screw | 1 | M5x25 |
| 6-19 | 285944 | Swing Arm | 1 | |
| 6-20 | 285945 | Arm Spring | 1 | |
| 6-21 | 285946 | Return Spring | 1 | |
| 6-22 | 285952 | Front Hand Guard Cover | 1 | |
| 6-23 | 285644 | Screw | 1 | M4x12 |
| 6-24 | 285631 | Screw | 1 | M4x16 |

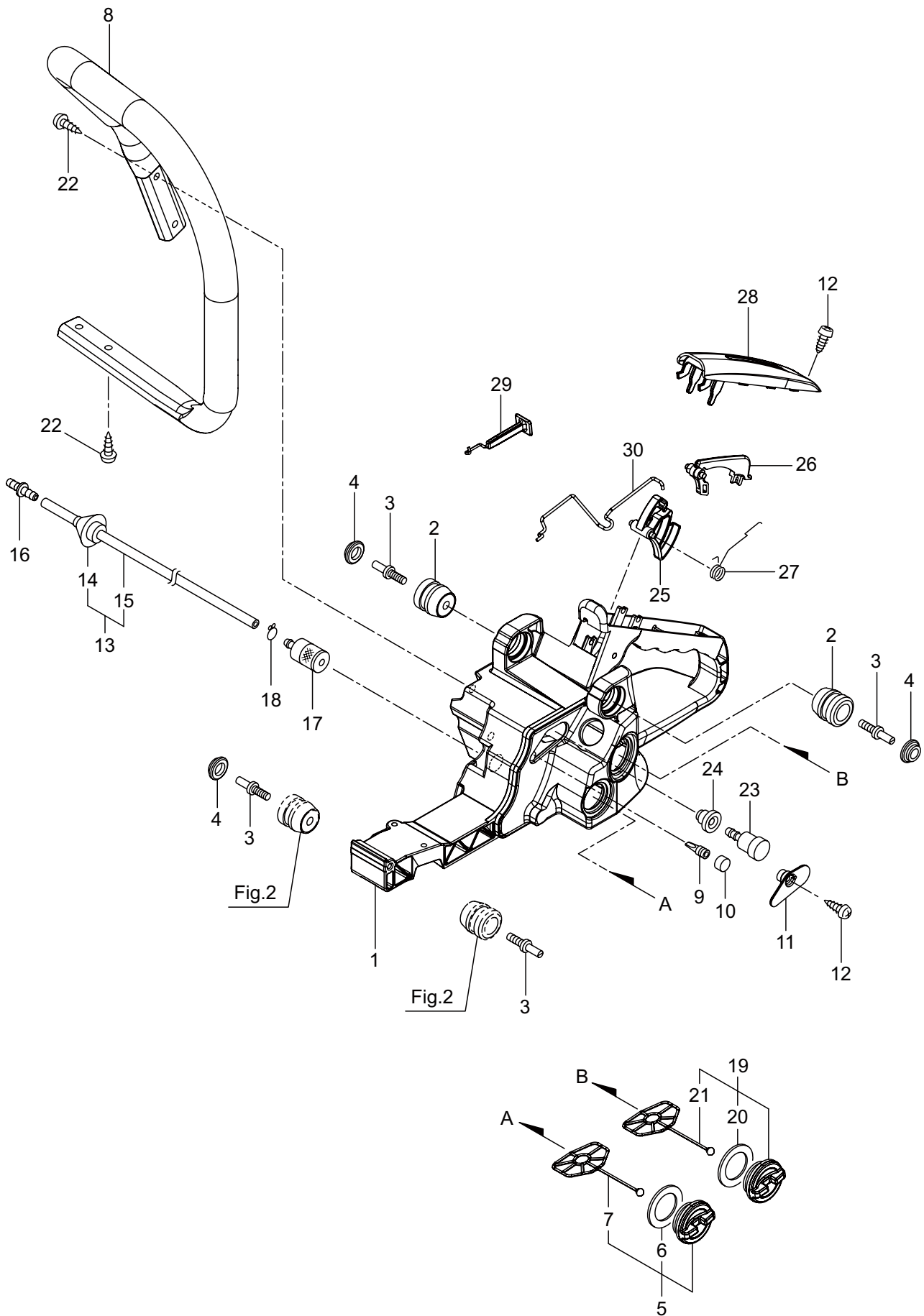
7. MCV3501S(16)-01
RECOIL STARTER

1—2~11



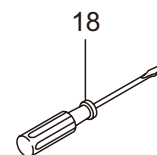
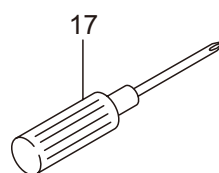
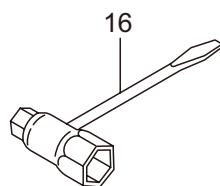
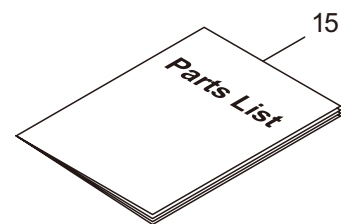
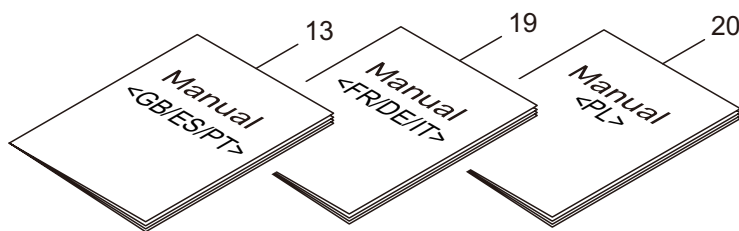
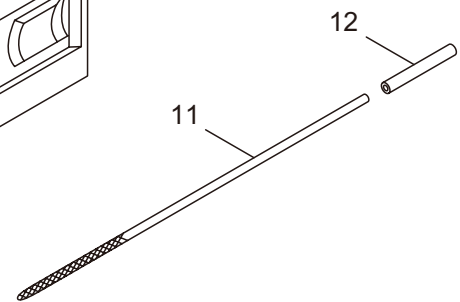
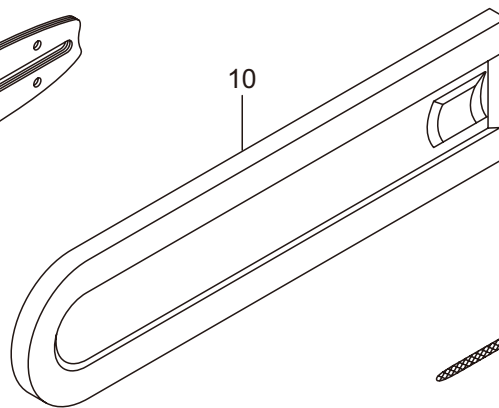
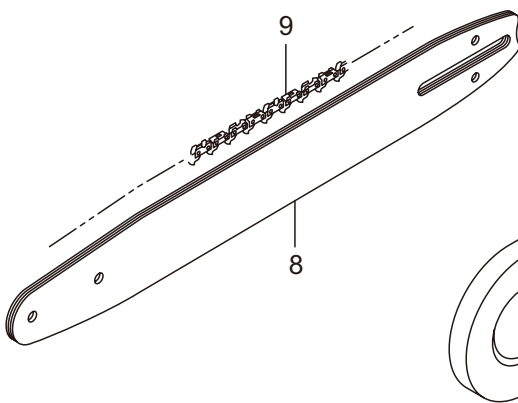
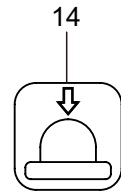
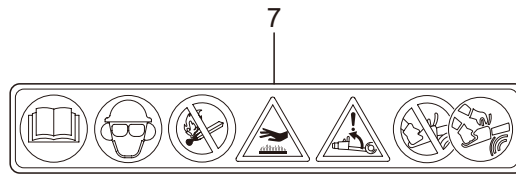
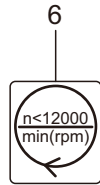
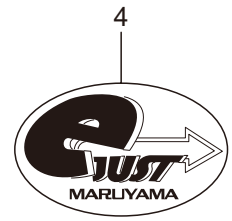
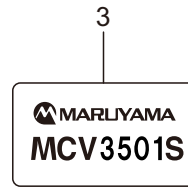
| Ref. No. | Part No. | Part Name | Q'ty | Remarks |
|----------|----------|----------------------|------|-----------|
| 7-1 | 285940 | Recoil Starter Ass'y | 1 | Incl.2-11 |
| 7-2 | 273094 | Starter Case Comp | 1 | |
| 7-3 | 272857 | Reel | 1 | |
| 7-4 | 283275 | Spring Ass'y | 1 | |
| 7-5 | 272858 | Damper Spring | 1 | |
| 7-6 | 285597 | Cam Plate | 1 | |
| 7-7 | 267213 | Screw | 1 | |
| 7-8 | 272859 | Rope Ass'y | 1 | Incl.9-11 |
| 7-9 | 272860 | Starter Rope | 1 | |
| 7-10 | 285581 | Starter Knob | 1 | |
| 7-11 | 283281 | Rope Stopper | 1 | |
| 7-12 | 285941 | Fan Cover | 1 | |
| 7-13 | 285631 | Screw | 4 | M4x16 |

8. MCV3501S(16)-01
HANDLE



| Ref. No. | Part No. | Part Name | Q'ty | Remarks |
|----------|----------|-------------------|------|------------|
| 8-1 | 273563 | Rear Handle Comp | 1 | |
| 8-2 | 285582 | Buffer | 2 | |
| 8-3 | 285474 | Stopper Bolt | 4 | |
| 8-4 | 285473 | Cap | 3 | |
| 8-5 | 285501 | Oil Cap Ass'y | 1 | Incl.6,7 |
| 8-6 | 285503 | Packing | 1 | |
| 8-7 | 285504 | Holder | 1 | |
| 8-8 | 285957 | Front Handle | 1 | |
| 8-9 | 285574 | Breather | 1 | |
| 8-10 | 285526 | Element | 1 | |
| 8-11 | 285953 | Breather Cover | 1 | |
| 8-12 | 285631 | Screw | 2 | M4x16 |
| 8-13 | 273010 | Oil Pipe C Ass'y | 1 | Incl.14,15 |
| 8-14 | 261339 | Grommet | 1 | |
| 8-15 | 273011 | Oil Pipe C | 1 | |
| 8-16 | 288618 | Joint | 1 | |
| 8-17 | 274017 | Oil Filler Comp | 1 | |
| 8-18 | 261117 | Clip | 1 | |
| 8-19 | 286051 | Fuel Cap Ass'y | 1 | Incl.20,21 |
| 8-20 | 286063 | Packing | 1 | |
| 8-21 | 285504 | Holder | 1 | |
| 8-22 | 285636 | Screw | 4 | M5x20 |
| 8-23 | 285832 | Breather Ass'y | 1 | |
| 8-24 | 285573 | Breather Grommet | 1 | |
| 8-25 | 285516 | Throttle Lever | 1 | |
| 8-26 | 285517 | Safety Lever | 1 | |
| 8-27 | 285518 | Spring | 1 | |
| 8-28 | 286642 | Rear Handle Cover | 1 | |
| 8-29 | 285925 | Choke Rod | 1 | |
| 8-30 | 285929 | Push Rod | 1 | |

9. MCV3501S(16)-01
 LABEL, ACCESSORIES



| Ref. No. | Part No. | Part Name | Q'ty | Remarks |
|----------|----------|--------------------|------|-----------------|
| 9-1 | 275243 | Label | 1 | |
| 9-2 | 287255 | Label | 1 | REVERSE |
| 9-3 | 275244 | Label | 1 | |
| 9-4 | 287160 | Label | 1 | E JUST |
| 9-5 | 275175 | Label | 1 | |
| 9-6 | 287616 | Label | 1 | |
| 9-7 | 287161 | Label | 1 | |
| 9-8 | 287395 | Guide Bar | 1 | |
| 9-9 | 289539 | Chain | 1 | |
| 9-10 | 287400 | Chain Cover | 1 | |
| 9-11 | 285729 | File | 1 | |
| 9-12 | 285730 | File Grip | 1 | |
| 9-13 | 275239 | Instruction Manual | 1 | GB/ES/PT |
| 9-14 | 272020 | Label | 1 | |
| 9-15 | 523938 | Parts List | 1 | MCV3501S(16)-01 |
| 9-16 | 288652 | Combi Box Spanner | 1 | 13x19 L=190 |
| 9-17 | 285732 | Screwdriver | 1 | |
| 9-18 | 286865 | Screwdriver | 1 | |
| 9-19 | 275240 | Instruction Manual | 1 | FR/DE/IT |
| 9-20 | 275241 | Instruction Manual | 1 | PL |